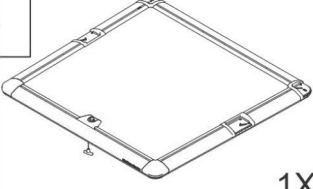
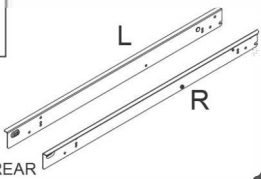
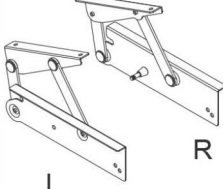
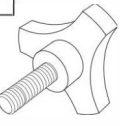







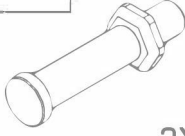
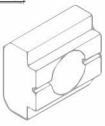
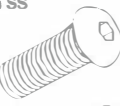








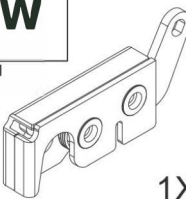
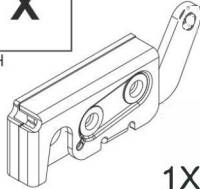


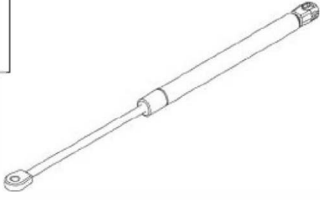
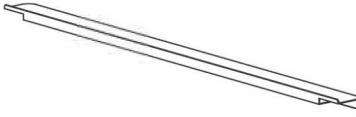
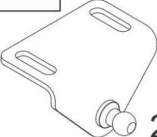



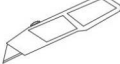


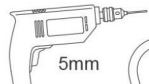
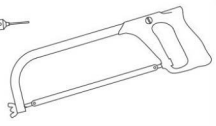
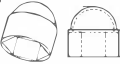






UpStoneEvolve

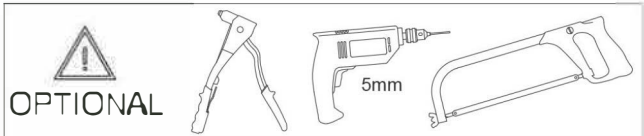
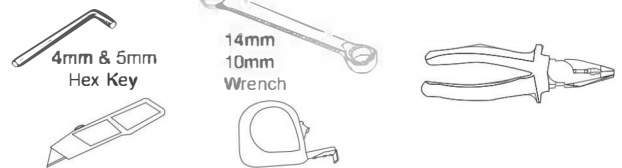
INSTALLATION INSTRUCTIONS EVOR1400/ 1450

A  1X	B  REAR L R 1X	C  L R 1X	D  2X		
E  2X	F M6 x16  2X	G M10 WASHER  8X	H M8 x16 Stainless Steel Washer  2X	I  2X	J M8 Nylock  4X
K M8 Stainless Steel Spring Washer  2X	L  2X	M  2X	N M8x25mm SS  2X	O M6 Nylock  8X	P M6x18  12X
Q M6x13mm Zinc  30X	R M6x10mm  12X	S M8 Coach Bolt  4X	T M8 x16 Stainless Steel Washer  2 X	U 25x25 TAPE  	V M8 x16 Zinc Washer  4X
W RH  1X	X LH  1X	Y M5 Cable Bolt, Washer & Dome Nut  2X	Z  2X	AA  2X	
AB  1X	AC  2X	<p>Note 1: If at any stage of installation you find your sportlid to be an unacceptable fit please contact the manufacturer before continuing.</p> <p>Note 2: If required, use Under Rail Bed Liner only. NOT FOR USE WITH OVER RAIL BED LINER!</p> <p><u>Tools Required</u></p>      <p>OPTIONAL</p>   			
AC Ø6  6X	AE  2X	AF M6X25 THC  2X	AG M6X30 TH  6X		
AD  2X	Fitting Kit Number KITEVOR1400RLBF	Product Upstone Lid	Revision 1	Date 16-01-2023	Page 1 of 8

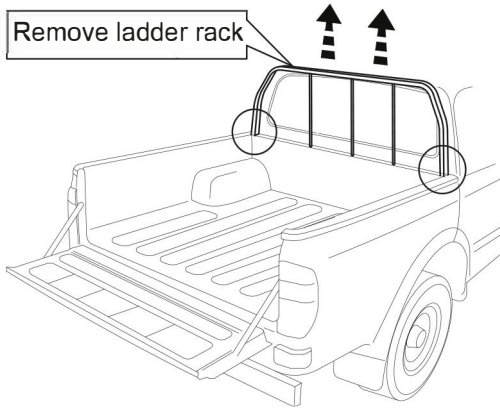
Note 1: If at any stage of installation you find your sportlid to be an unacceptable fit please contact the manufacturer before continuing.

Note 2: If required, use Under Rail Bed Liner only. **NOT FOR USE WITH OVER RAIL BED LINER!**

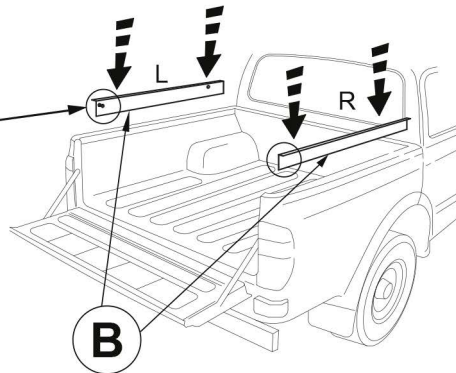
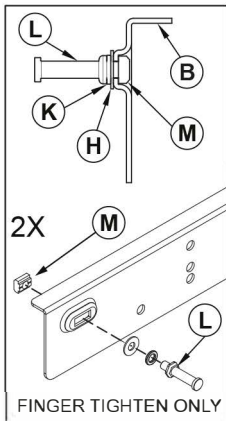
Tools Required



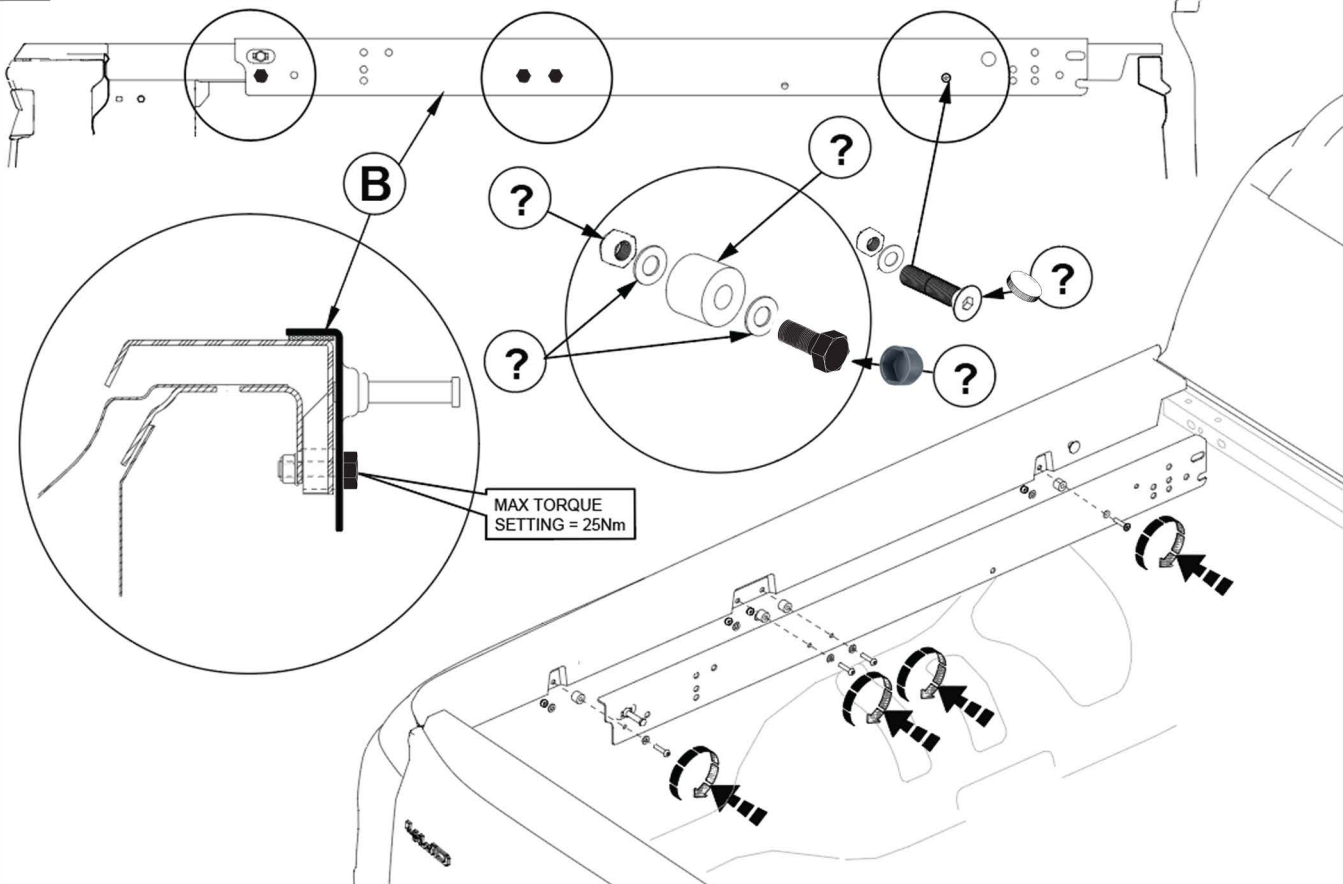
1



2

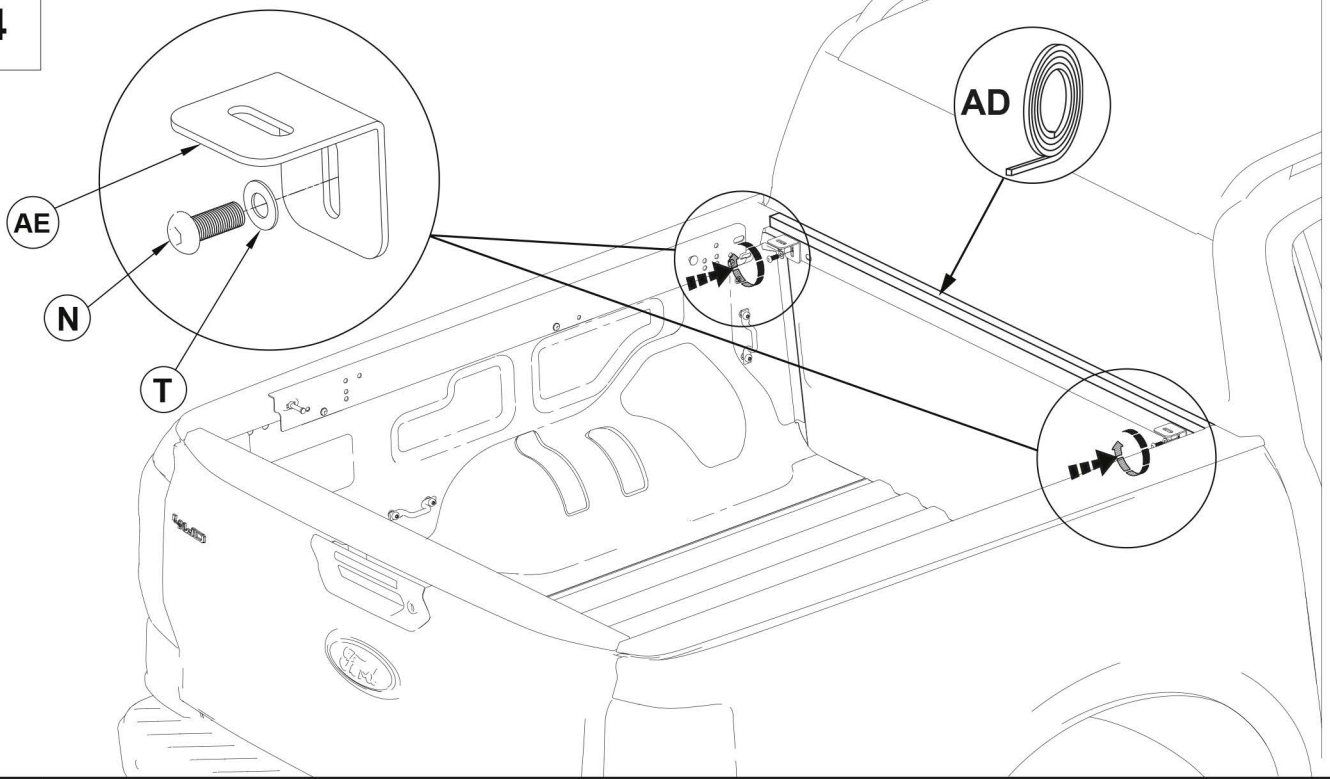


3

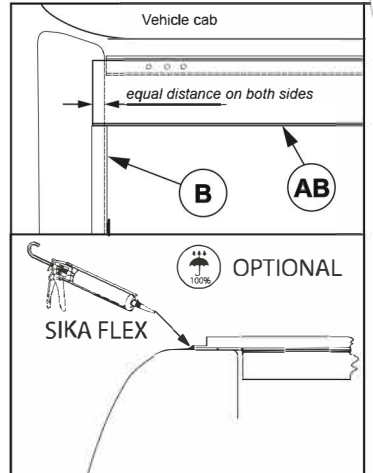
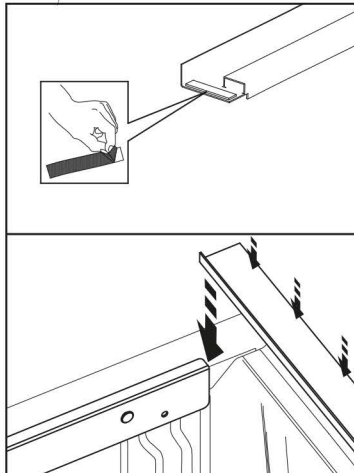
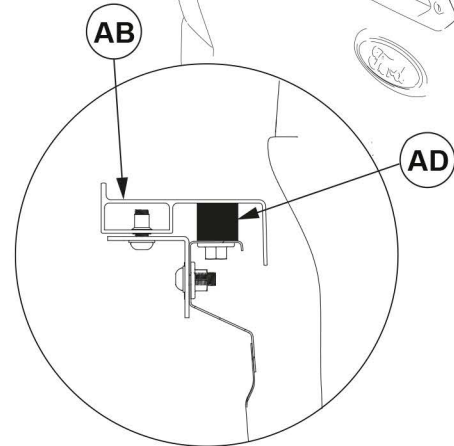
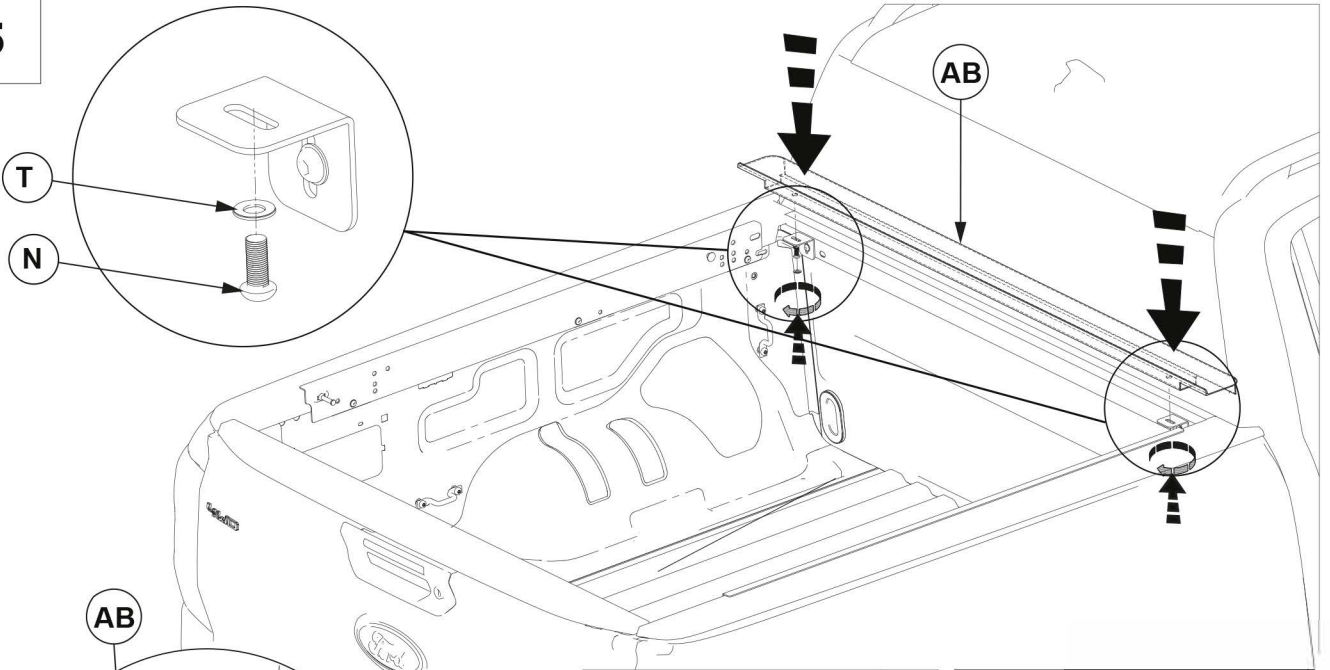


Fitting Kit Number	Product	Revision	Date	Page
KITEVOR1400RLBF	Upstone Lid	1	16-01-2023	2

4

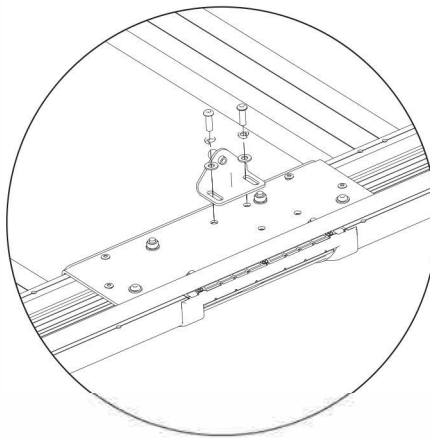
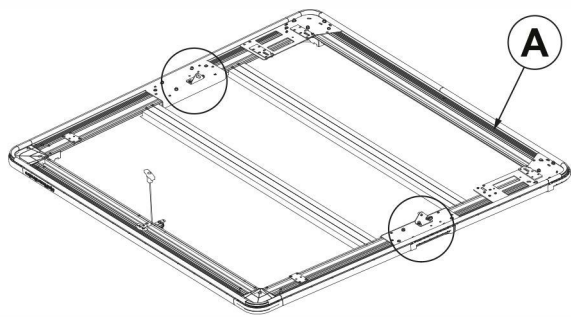


5



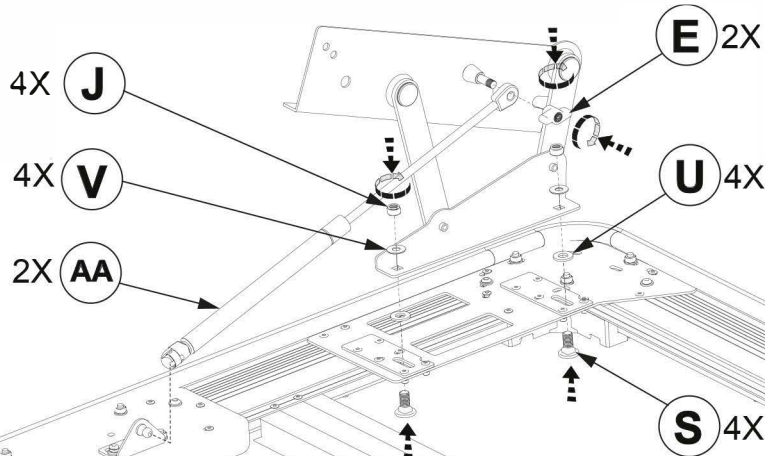
! DO NOT apply below 15°C.
Apply pressure to part. Adhesive is pressure activated.
Allow 3hrs minimum to cure before installing lid

6

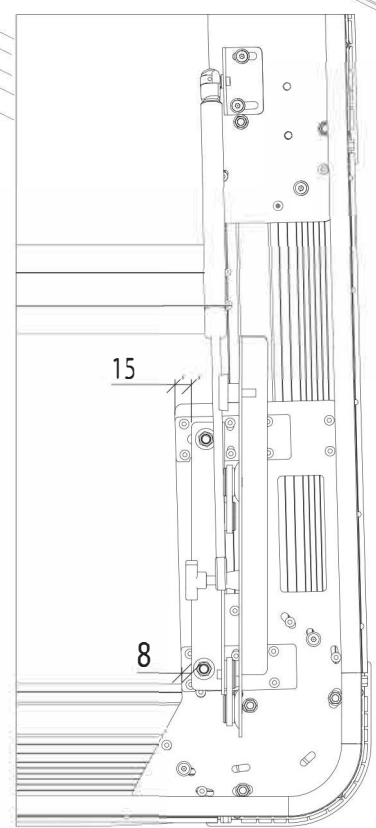
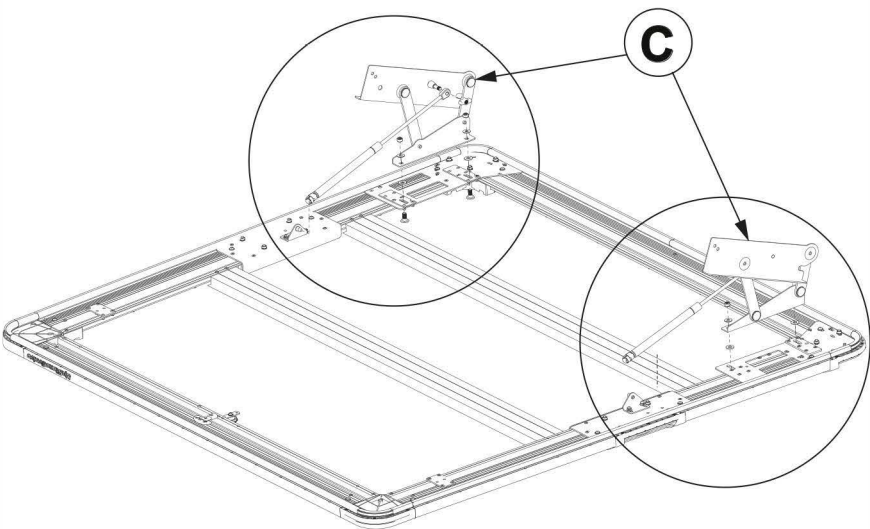


- P** 4X
- R** 4X
- Q** 4X
- AC** 2X

7

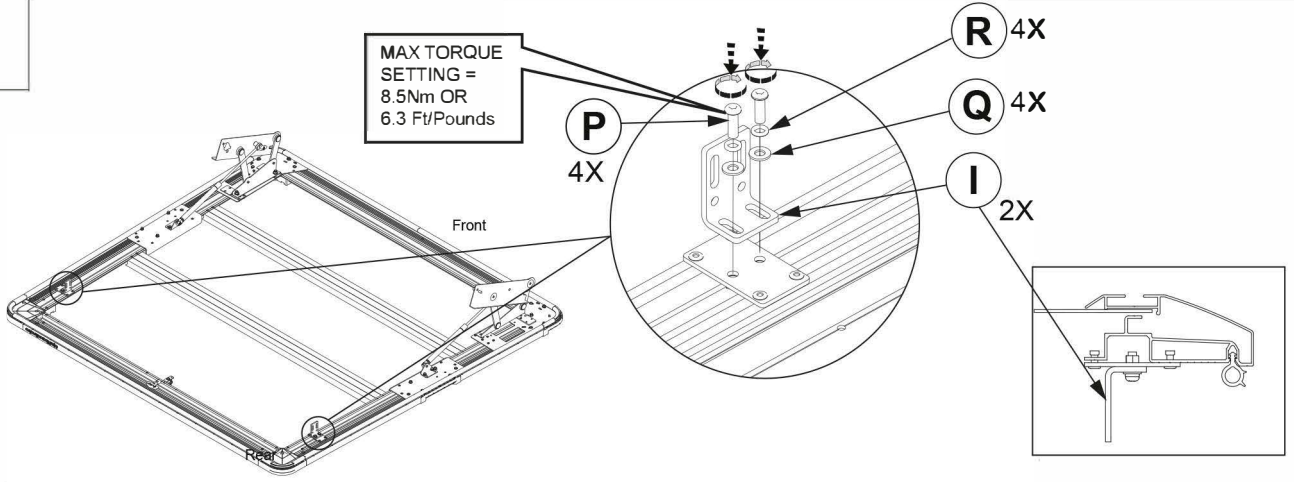


MAX TORQUE
SETTING =
8.5Nm OR
6.3 Ft/Pounds

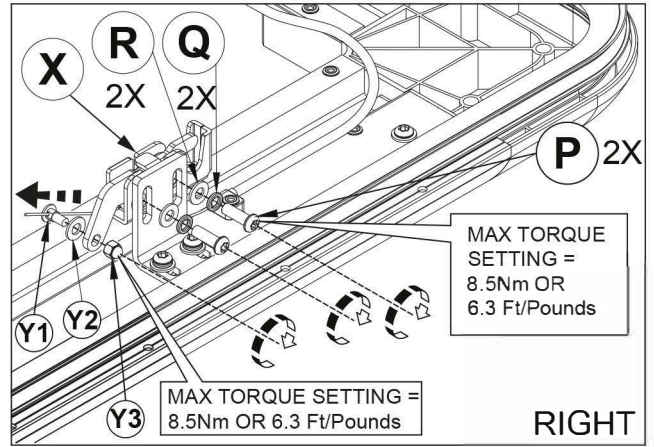
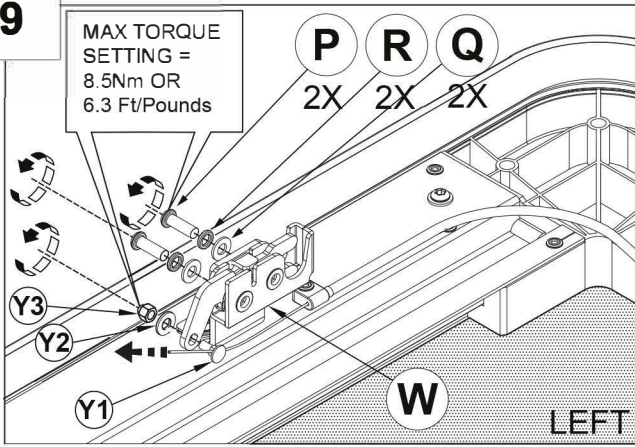


Fitting Kit Number	Product	Revision	Date	Page
KITEVOR 1400RLBF	Upstone Lid	1	16-01-2023	- 4 -

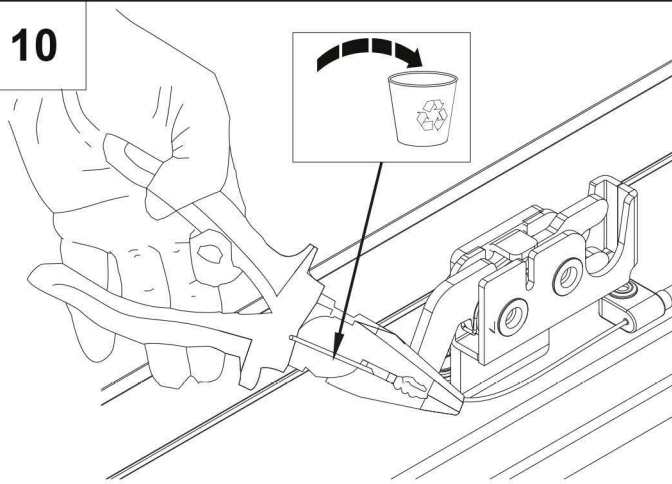
8



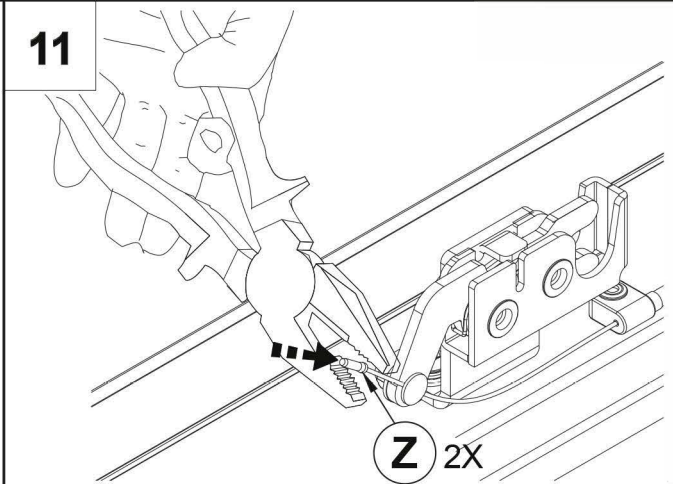
9



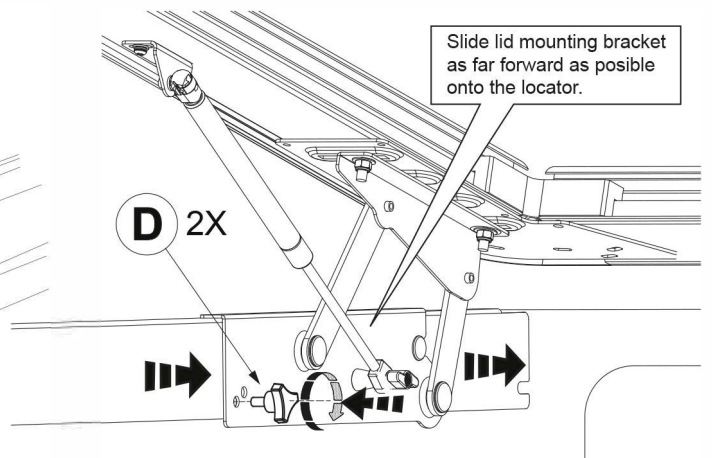
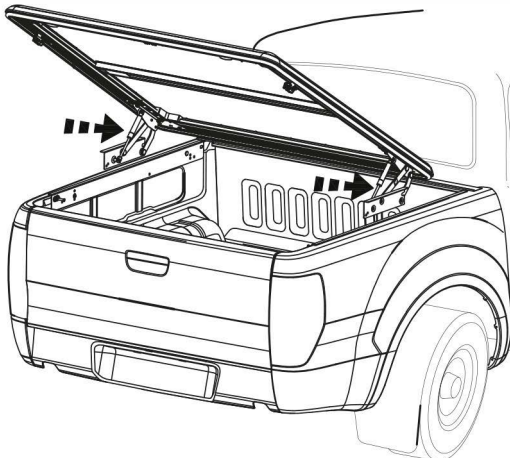
10



11



12



Fitting Kit Number

Product

Revision

Date

Page

KITEVOR 1400RLBF

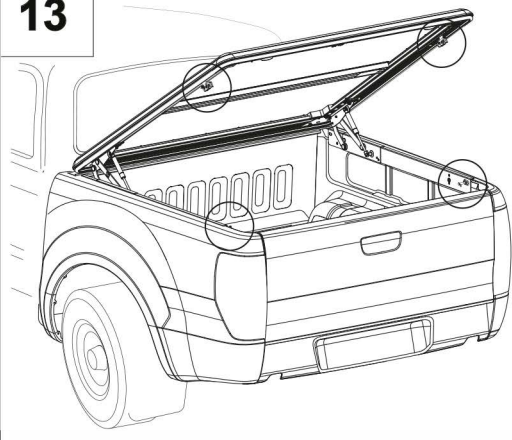
Upstone Lid

1

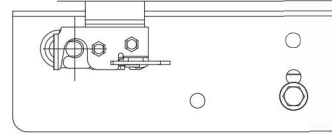
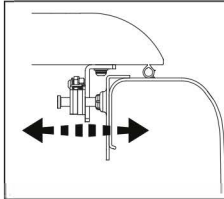
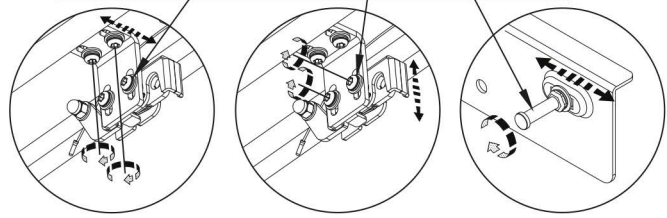
16-01-2023

5

13

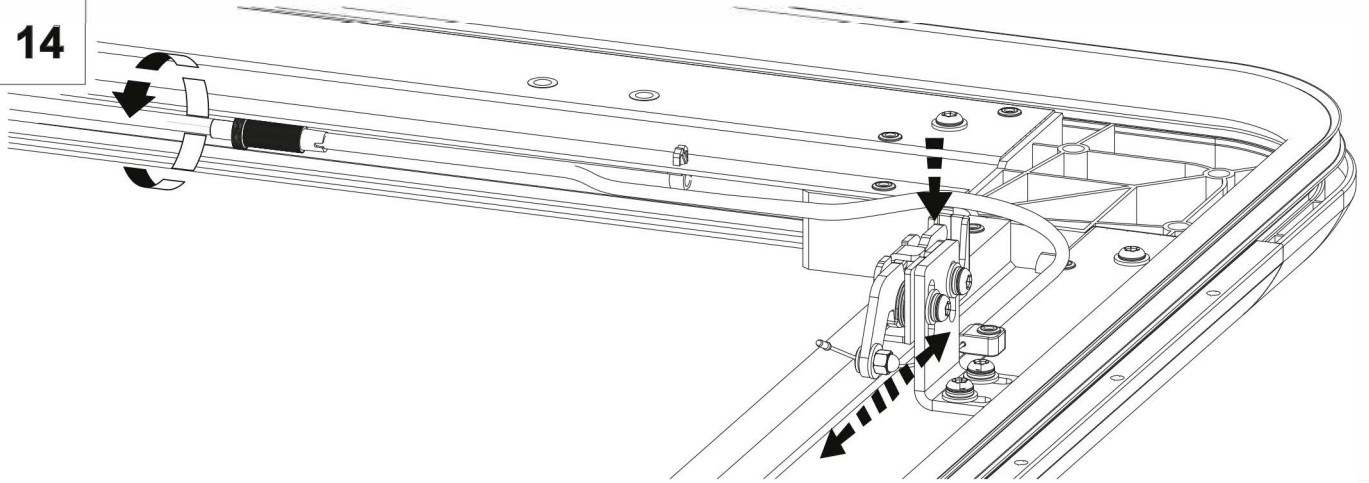


MAX TORQUE SETTING = 8.5Nm OR 6.3 Ft/Pounds



Adjust latch bracket, latch height and pin location to align pin with centre of latch. Adjust cable tension to achieve correct latching. **IMPORTANT!** : Ensure seal contacts vehicle in all areas

14

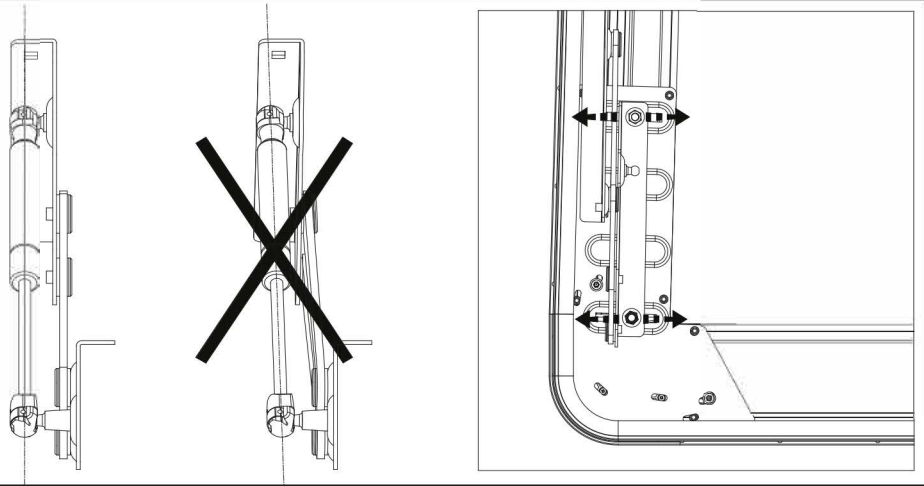


Fitting Kit Number	Product	Revision	Date	Page
KITEVOR1400RLBF	Upstone Lid	1	16-01-2023	6

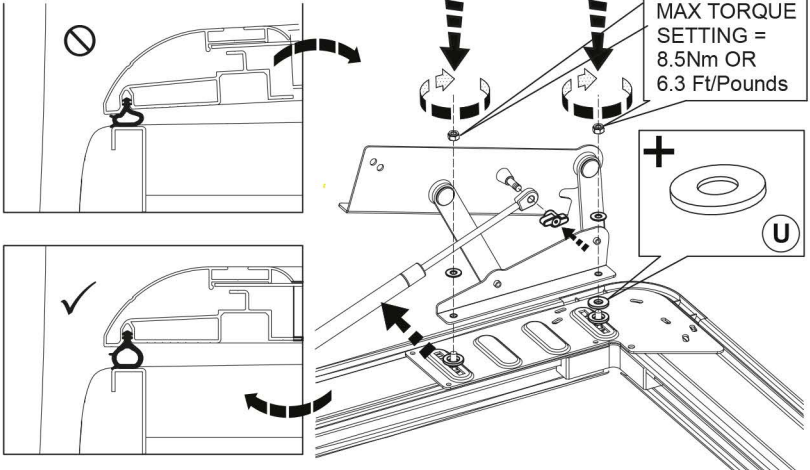
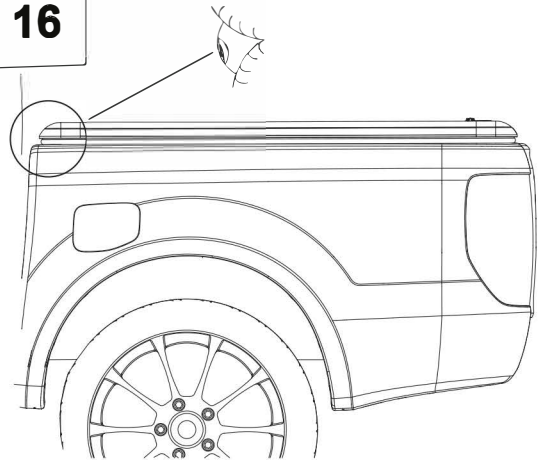
15



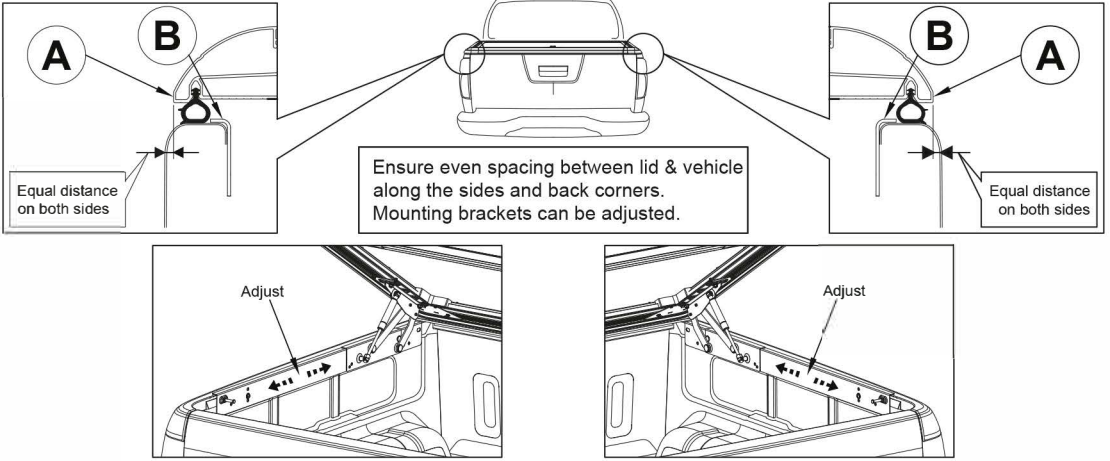
Insure hinge is not twisted.
Adjust connection to lid if nessessary.



16



17



After installation carefully and thoroughly clean all debris from the inside of the cargo box.
Retain these instructions for future reference

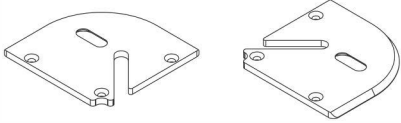
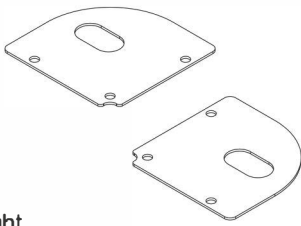
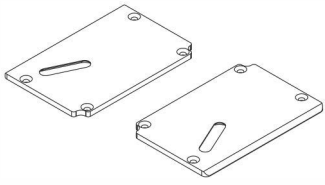
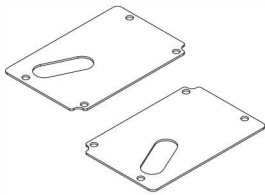
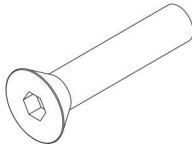
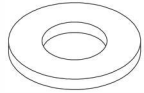
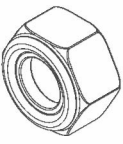
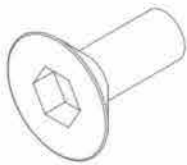
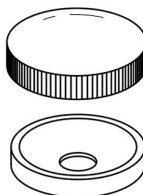
⚠ CAUTION!

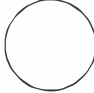

- NEVER allow people or animals under the closed cover
- Do not place unsealed solvents or chemicals under the cover
- Do not stand or place heavy objects on the cover
- Do not open lid when under load.
- Close the cover before operating the vehicle
- Do not allow oil, solvents or chemicals to contact the cover
- Clean only with a mild detergent and water solution

Fitting Kit Number	Product	Revision	Date	Page
KITEVOR1400RLBF	Upstone Lid	1	16-01-2023	7

UpStoneEvolve

INSTALLATION INSTRUCTIONS K429
Ford Ranger 11+ DC/XC OEM Bar

<p>A</p>  <p>Left + Right 2X</p>	<p>B</p>  <p>Left + Right 2X</p>	<p>C</p>  <p>Left + Right 2X</p>
<p>D</p>  <p>Left + Right 2X</p>	<p>E</p>  <p>M6X25mm 14X</p>	<p>F</p>  <p>M6X13mm 14X</p>
<p>G</p>  <p>M6 14X</p>	<p>H</p>  <p>M8x20mm 4X</p>	<p>I</p>  <p>14X</p>

 - New component
 - Existing component

Note 1: If at any stage of installation you find your sportlid to be an unacceptable fit please contact the manufacturer before continuing.

Note 2: This kit is only applicable to the **Ford Ranger 11+ DC/XC OE bar compatible** Upstone Evolve lids.

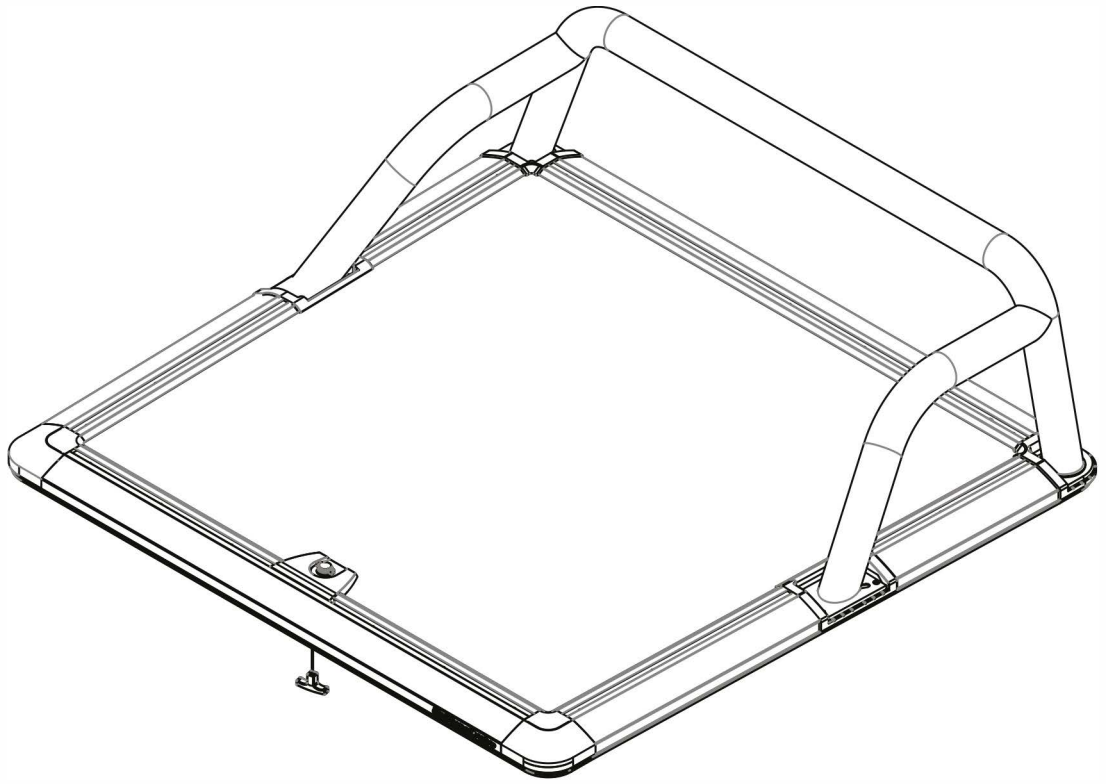
Tools Required



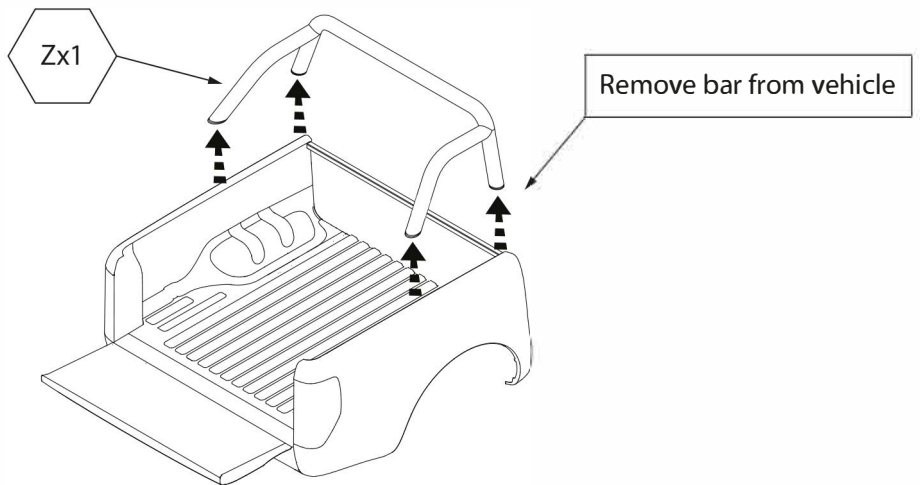
4mm & 5mm
Hex Key



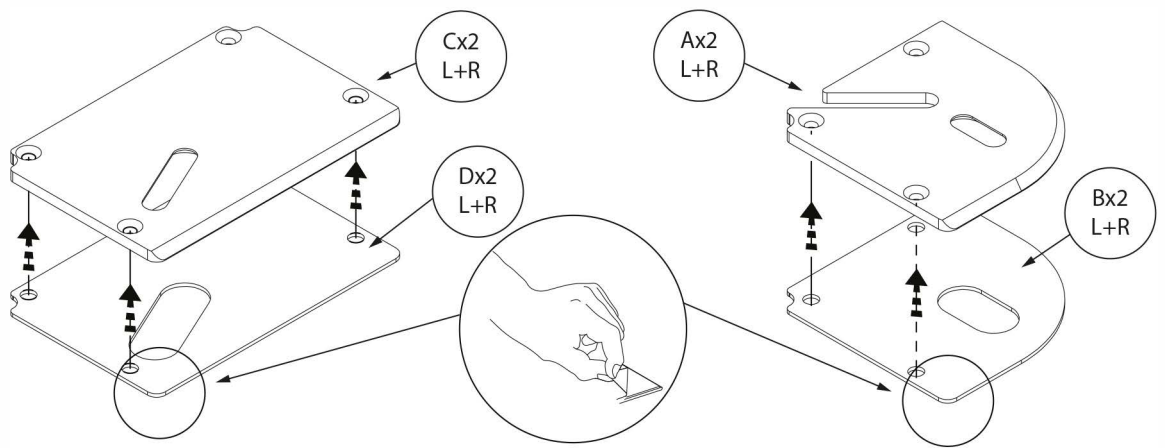
14mm
Wrench



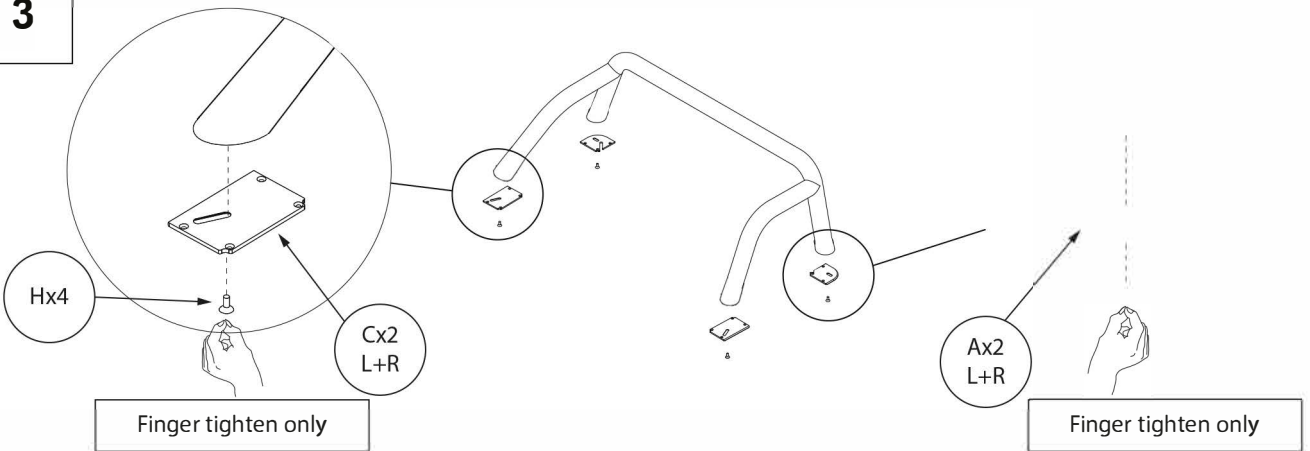
1



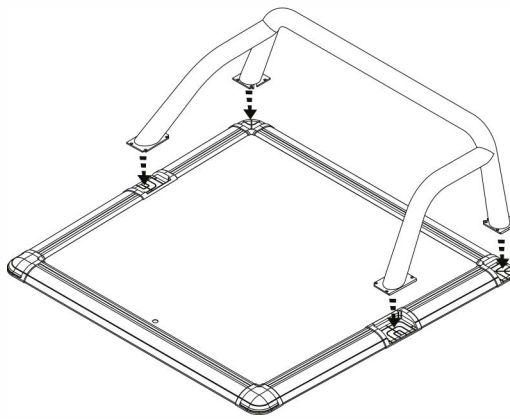
2



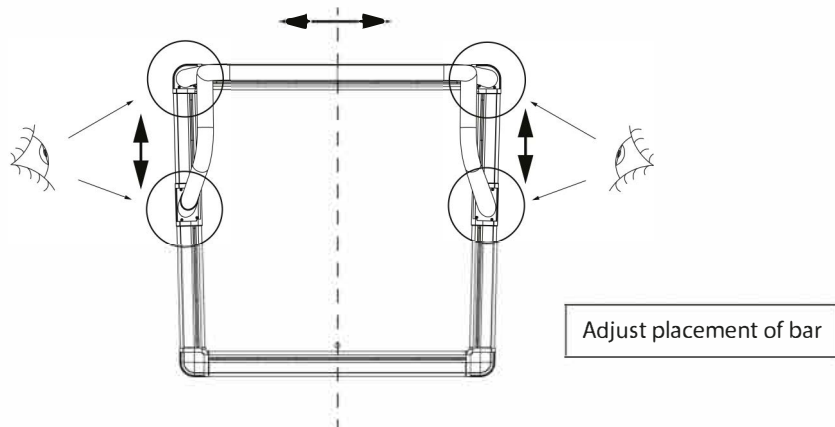
3



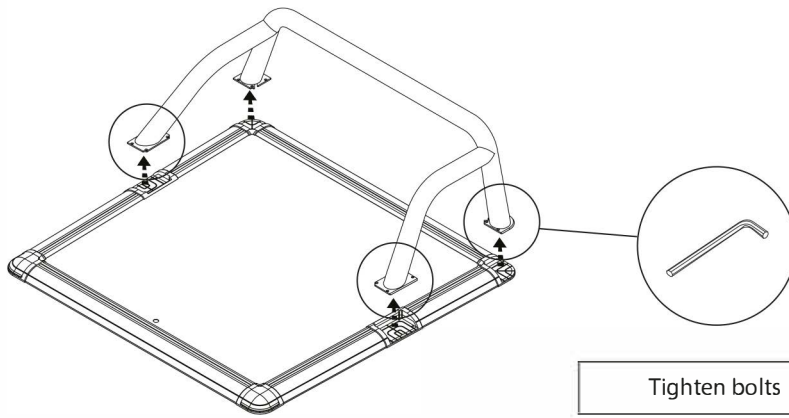
4



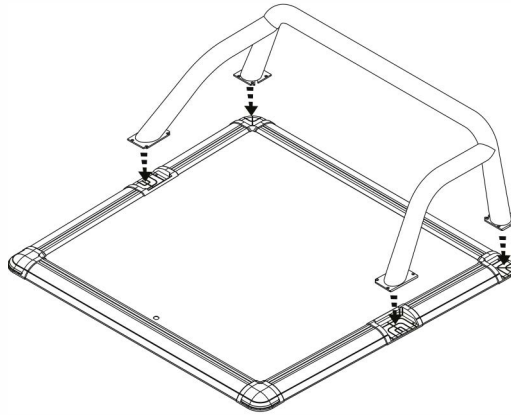
5



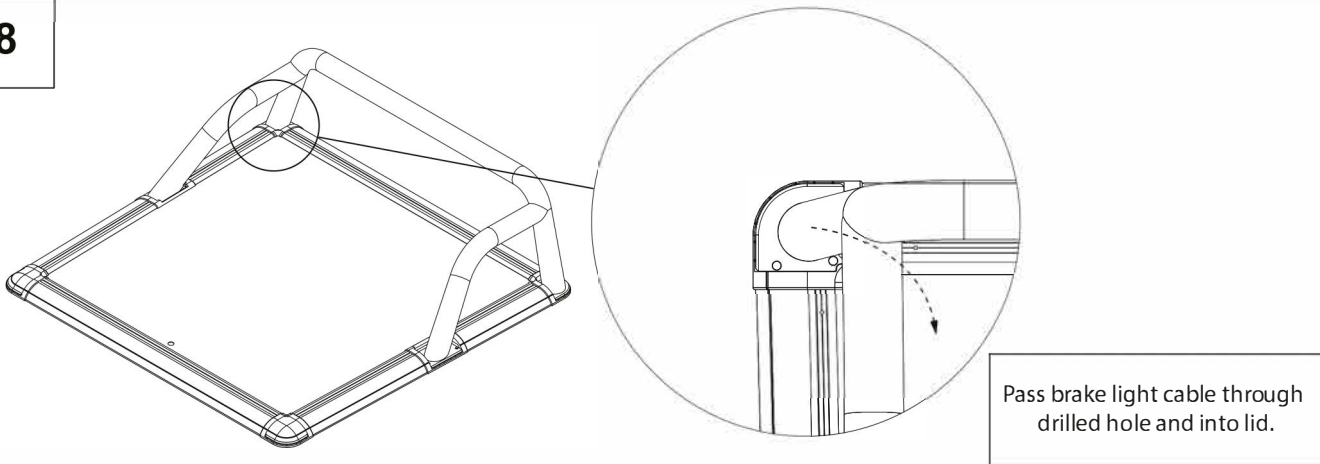
6



7



8



9

